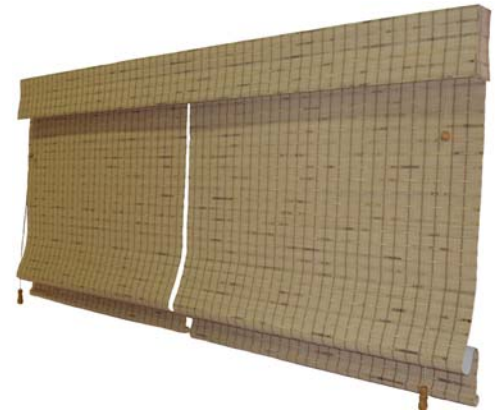


OPTIONS AND MORE

Multiple shades *on one headrail*

Price as standard shades according to overall shade sizes **plus a surcharge.**



Privacy Lining

Available in white and ivory color

Black out lining: New technology which provides complete privacy and block lights 100%.

Dim out lining: Provides complete privacy and filters light transmission by 50%.

If consumers want to add privacy lining after the shade is made, the cost of adding lining would be the lining cost plus a surcharge.

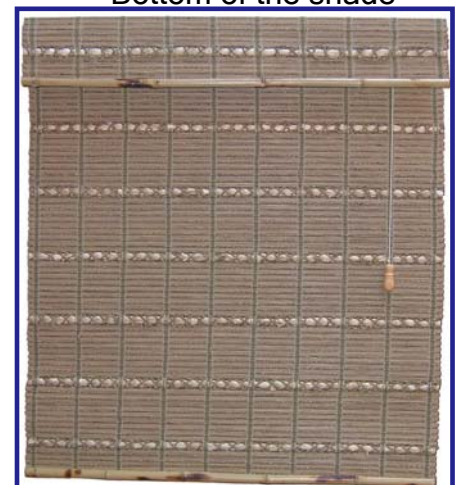


Specifications and Options

	Standard	Option 1	Option 2
Headrail Dimensions	1 3/4" W x 3/4" H	2 3/4" W x 3/4" H	3 3/4" W x 3/4" H
Bottomrail Dimensions	1/2" Wood Dowel	1/2" Wood Dowel	1/2" Wood Dowel
Brackets	New York Style	New York Style	New York Style
Pull Tassel	Wood Tassels	Wood Tassels	Wood Tassels
Valance Returns	Standard OB Mount	Standard OB Mount	Standard OB Mount
Valance Styles	6" Standard Valance	6" Standard Valance	6" Standard Valance
IB Mount Depth	1" Minimum	1" Minimum	1" Minimum
IB Mount Deduction	1/2"	1/2"	1/2"
Hold Down	Available by Request	Available by Request	Available by Request
Roman Style	Available	Available	Available
Old Roman Style	Available	Available	Available
Roll Up Style	Available	Available	Available
Hobbled Roman Style	Available	Available	Not Available
Top Down Bottom Up (Duo-Fold)	Optional Surcharge	Optional Surcharge	Not Available
Rollease Clutch System	Not Available	Optional Surcharge	Not Available
Multi-Blinds on 1 Headrail	Optional Surcharge	Optional Surcharge	Not Available
Privacy Fabric Liner	Optional Surcharge	Optional Surcharge	Optional Surcharge
Specialty Angle Shade	Optional Surcharge	Optional Surcharge	Not Available
Bamboo Pole	Optional Surcharge	Optional Surcharge	Optional Surcharge
Decorative Valance	Optional Surcharge	Optional Surcharge	Optional Surcharge
Cut Outs	Optional Surcharge	Optional Surcharge	Optional Surcharge

Optional Bamboo Pole

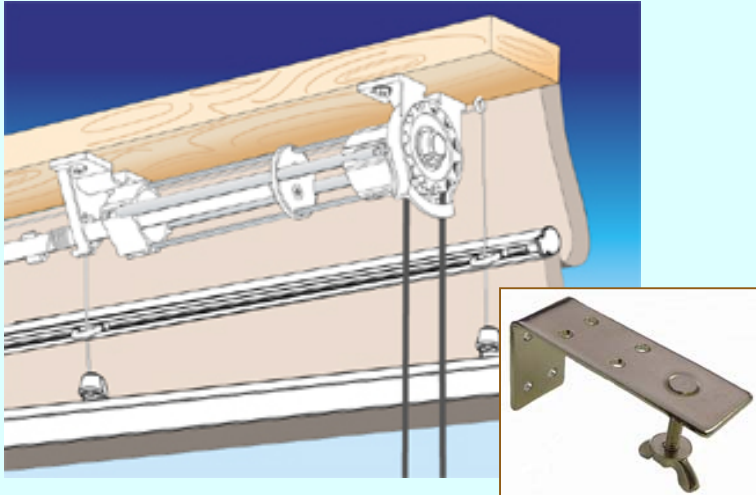
Available on Valance or Bottom of the shade



ROLLEASE SYSTEM

Available in Roman, Old Roman, and *Hobbled Roman

Rollease Shade



Description

- Excellent for large and heavy shades because of the continuous clutch system. It has an auto locking device which can lock the shade in any position.

Specification

- The Rollease system can support length from 18" to 120".
- The standard Headrail measurement is available at 2 3/4" X 3/4". (Various measurement can be done by request.)
- The cord loop is approximately half the length of the shade.
- Extended New York Bracket is used to mount the Rollease shade. (Dimension 2" x 1" x 1 1/2")

* Hobbled Roman's length is limited to certain length, call for further detail.